



ABBERFIELD

INDUSTRIES

PTY LTD ABN 61 000 112 569

CT20

series

COIN
OPERATED
TIME
SWITCHES

CT20 DESIGNATES:- COIN TIMERS SERIES 20

Series 20 refers to those units of open construction, for building into equipment and incorporating front coin entry.

TECHNICAL & SERVICE DETAILS

ABBERFIELD INDUSTRIES PTY LTD

32 Cross Street, Brookvale, Sydney, NSW 2100 Australia

Tel: +61-2 9939 2844 Fax: +61-2 9938 3462

Email: contact@abberfield.com.au

Internet: www.abberfield.com.au

CT20 SERVICE HINTS

This sheet covers CT20 (5amp switch rating) and CT20R (25amp switch rating). Both types available with or without reject coin return chute.

When servicing model CT20 units, extra care should be taken to ensure correct operation. Since the mechanism is not as readily accessible as model CT10 units repeated services can be more expensive.

FACE PLATE

The correct face plate should be used. If no coin return chute is fitted then the face plate without the bottom exit hole should be used. The insert label is identical except that no cut out exists where the exit would otherwise have been.

MOUNTING

The mechanism is intended for mounting on the inside of a panel, with the face plate on the outside. This means that only four mounting holes, plus coin entry, and exit holes need be made in the panel.

M4 Mounting screws are inserted into the moulding. When mounted in this manner no screw heads are visible, and the best possible appearance is achieved.

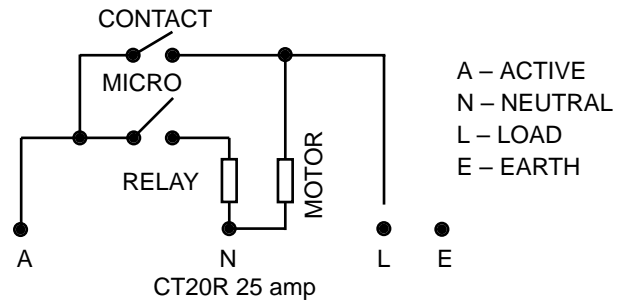
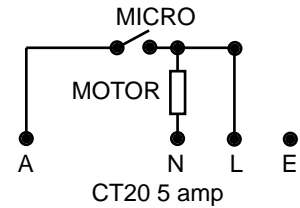
Normal panels are relatively thin steel plate, however in some cases particle wood board is used. When this is done it is important to ensure that the coins enter the coin track freely, and do not simply rest upon the board. Naturally the larger the coin, or the thinner the board, the less of a problem.

TIMING ADJUSTMENT

The timing wheel has a fixed rotation time and incorporates a moulded pin to eject the coin from the track each revolution. By installing time setting screws (stored in lower right hand corner of mechanism) it is possible to divide the timing wheel into 1, 2, 3 or 4 segments with screws provided. The label on the mechanism will state the fixed rotation time (max. time) of that unit. Adjustments of that speed can be made in equal divisions of 1, 2, 3 or 4, e.g. with a max. time of 1 hour the operating time could be 1 hour, 1/2 hour, 20 minutes or 15 minutes.

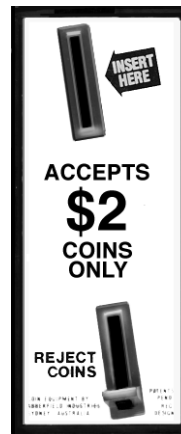
ELECTRICAL

Standard coin timers (CT10 or CT20R) are wired to switch the active wire only. After installation check that active and neutral wires have not been reversed.



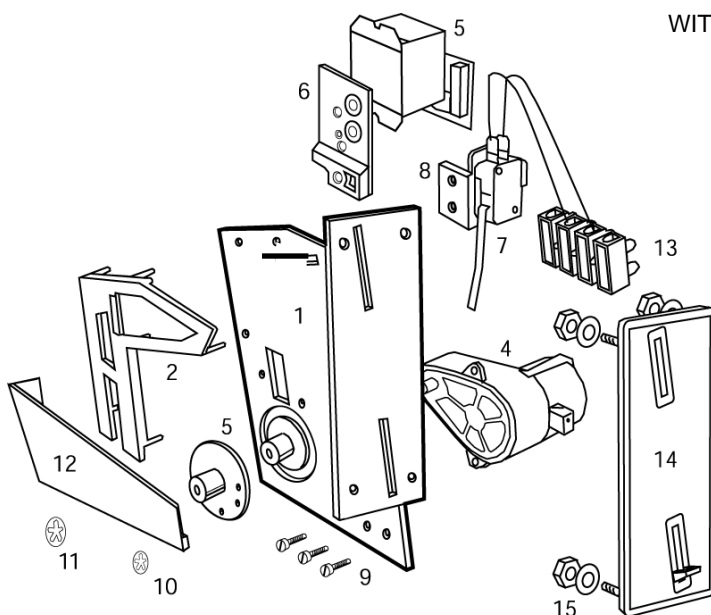
WARNING

Do not turn timing wheel by hand as damage to the unit may result.



WITH REJECT COIN SLOT

NO REJECT COIN SLOT



CT20 SERIES MECHANISM

1. CT20 Main moulding
2. Coin track (various coins and tokens)
3. Timing wheel
4. Motor gearbox assembly
5. 25 amp relay (model CT20R only)
6. Relay bracket (model CT20R only)
7. Micro switch
8. Switch bracket
9. Timing screws
10. Small push on (11 per set)
11. Large push on nut (2 per set)
12. Return chute (optional)
13. Terminal Block
14. Face Plate
15. Face Plate nut & washer set (M4)